

REACTOR FOR FILTERING

Iron core reactors

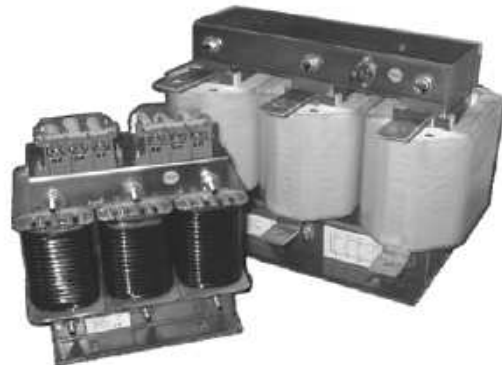
R & RB TYPE

Construction

- Built with oriented grain iron sheet and copper windings
- Anti saturation characteristics and very low losses
- Vacuum impregnated with a varnish having high insulation properties

Features

- Internal insulation class F
- Protection thermostat
- Vacuum varnish impregnation
- Indoor installation
- For Banks with electro-mechanical contactors

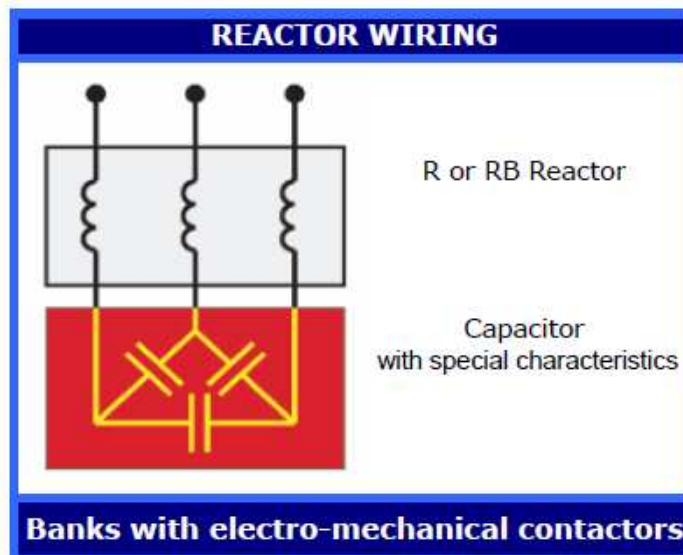


Typical applications

Correct the following problems:

Resonance in L.V. supply, caused by the power factor correction equipment

Detune of harmonics incertain parts of the distribution



REACTOR FOR FILTERING

Iron core reactors

R & RB TYPE

Technical data and specification

Characteristics

| | |
|-----------------------|--|
| Rated power | 5 up to 120 kvar |
| Rated voltage U_r | $U_r=400$ volt |
| Rated frequency F_r | $F_r=50/60$ HZ |
| Safety | Thermostat with trip temperature 90°C |
| Tolerance | 3% |
| Insulation voltage | 4 KV |
| Linearity | 1.8 In |
| Core material | Oriented grain coating (with multiple scatters in RB type) |
| Conductor material | Copper wire / Aluminium band (RB type) |
| Protection grade | IP00 |

Maximum rating

| | |
|-----------------|--------|
| Overcurrent: | |
| Permanent | 1.7 In |
| Transient(1min) | 2 In |

Temperature category / Class F

| | |
|------------------------------|------------------------|
| Temperature class | F(155 °C) |
| Permissible maximum humidity | 95% |
| Maximum permissible altitude | 1 000m above sea level |

Assembly conditions

| | |
|-----------------------------------|--|
| Installation | Indoor |
| Mounting | Vertical |
| Connection | Terminal block (R type) / Aluminium busbar (RB type) |
| Minimum distance between reactors | 4 cm |

Reference Standards

IEC 289

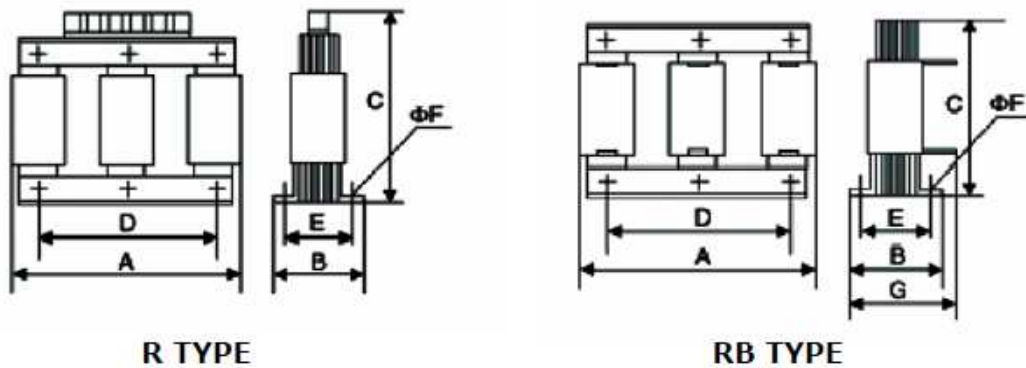
IEC 076

Rated voltage: 400 VAC, 50 Hz

| Type | 50 Hz | | In | Losses | Weight |
|------------|----------------|----|-----|--------|--------|
| | Output kvar | P | A | W | kg |
| R-5-400 | 5 | 7% | 7.5 | 25 | 6 |
| R-10-400 | 10 | 7% | 15 | 50 | 8 |
| R-15-400 | 12.5 | 7% | 22 | 57 | 9.2 |
| RB-20-400 | 15 | 7% | 30 | 76 | 9.4 |
| RB-25-400 | 20 | 7% | 37 | 90 | 14 |
| RB-30-400 | 30 | 7% | 45 | 120 | 19 |
| RB-40-400 | 40 | 7% | 60 | 145 | 20 |
| RB-50-400 | 50 | 7% | 75 | 185 | 27 |
| RB-60-400 | 60 | 7% | 90 | 205 | 31 |
| RB-80-400 | 80 | 7% | 120 | 235 | 38 |
| RB-100-400 | 100 | 7% | 145 | 250 | 50 |
| RB-120-400 | 120 | 7% | 175 | 295 | 58 |

* Other Voltages on request

Dimensional drawing



| Type | A mm | B mm | C mm | D* mm | E* mm | F mm | G mm |
|------------|---------|---------|---------|----------|----------|---------|---------|
| R-5-400 | 155 | 112 | 165 | 75 | 85 | 7 | - |
| R-10-400 | 180 | 102 | 190 | 90 | 75 | 7 | - |
| R-15-400 | 180 | 112 | 190 | 90 | 85 | 7 | - |
| RB-20-400 | 260 | 124 | 174 | 150 | 90 | 7 | 150 |
| RB-25-400 | 260 | 124 | 174 | 150 | 90 | 7 | 150 |
| RB-30-400 | 290 | 124 | 231 | 160 | 90 | 9 | 150 |
| RB-40-400 | 293 | 124 | 231 | 160 | 90 | 9 | 150 |
| RB-50-400 | 310 | 144 | 233 | 160 | 110 | 9 | 175 |
| RB-60-400 | 305 | 146 | 260 | 160 | 110 | 11 | 180 |
| RB-80-400 | 335 | 155 | 280 | 180 | 120 | 11 | 185 |
| RB-100-400 | 338 | 170 | 300 | 180 | 135 | 11 | 215 |
| RB-120-400 | 355 | 170 | 350 | 200 | 135 | 13 | 220 |

*Distance between fixing screw